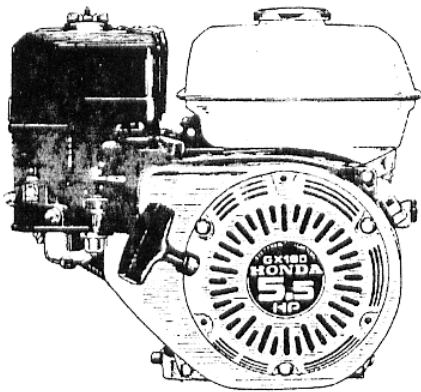


Engines



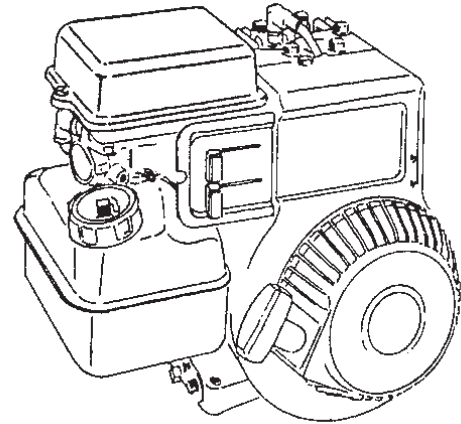
HONDA ENGINES

GX SERIES HORIZONTAL SHAFT

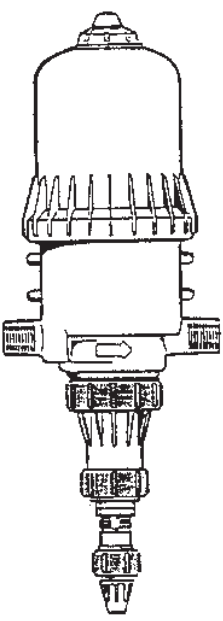
HDGX160QX	5.5 HP STANDARD	\$411
HDGX160QE2	5.5 HP STAN/ELST	\$553
HDGX160TX	5.5 HP TREADED/SHT	\$437
HDGX160HX	5.5 HP GEAR/REDUCT	\$532
HDGX160HXE	5.5 HP GR/RED ELST	\$722
HDGX240QA	8 HP STANDARD	\$653
HDGX240QAE	8 HP STAND/ELST	\$799
HDGX240PAZ	8 HP THREADED/SHT	\$680
HDGX240HA	8 HP GEAR/REDUCT	\$795

BRIGGS AND STRATTON ENGINES

FE1264320036	5.5 INTEK STANDARD	\$355
FE1234320035	5.5 INTEK THREAD/SHT	\$365
FE1264520049	5.5 INTEK GEAR/RED	\$439
FE1214320036	6.5 I/C STANDARD	\$382
FE1214370050	6.5 I/C STAND/ELST	\$530
FE12114320035	6.5 I/C THREADED/SHT	\$405
FE1214520049	6.5 I/C GEAR/REDUCT	\$498



Affordable, On-Sprayer Chemical Injection



- No more messy mixing chores.
- No more left over spray solution at the end of the day.
- Just fill your sprayer tank with water and set the DOSATRON to the desired percentage of chemical to water.
- The DOSATRON chemical injector precisely injects the pre-set amount of chemical into the flow of water being pumped to the nozzles. This percentage of chemical to water remains constant regardless of changes in spray pump output.
- On sprayers equipped with automatic spray rate control systems the DOSATRON rate of chemical injection precisely follows the changes in flow and pressure called for by the spray rate control system.

MODEL	FLOW RATE	FLOW RANGE	PRESSURE	RATIOS	PERCENTAGE	OZ/GAL	PRICE
DI 16	11 GPM	2.64-600 GPH	4.3-90 PSI	1:500 to 1:64	0.2 to 1.6	.256 to 2	\$441
DI 150	11 GPM	2.64-660 GPH	4.3-90 PSI	1:100 to 1:20	1 to 5	1.28 to 6.4	\$971
DI 210	11 GPM	2.64-660 GPH	4.3-57 PSI	1:50 to 1:10	2 to 10	2.56 to 12.8	\$971