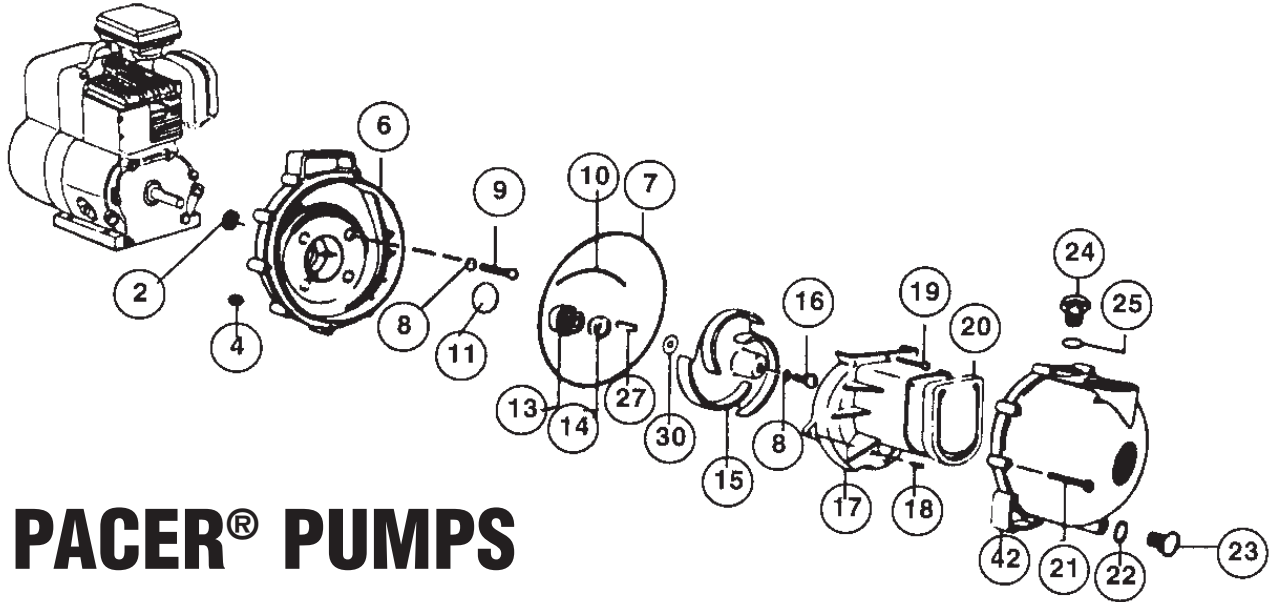


PACER® Econo-AG

CARING FOR PACER PUMPS:

When handling agricultural fertilizer and chemicals, flush pump with fresh, clean water immediately after use. Before storing pump, flush with fresh clean water and drain completely.

EPDM rubber components are not compatible with petroleum products. Do not use petroleum products when preparing pump for storage.



PACER® PUMPS

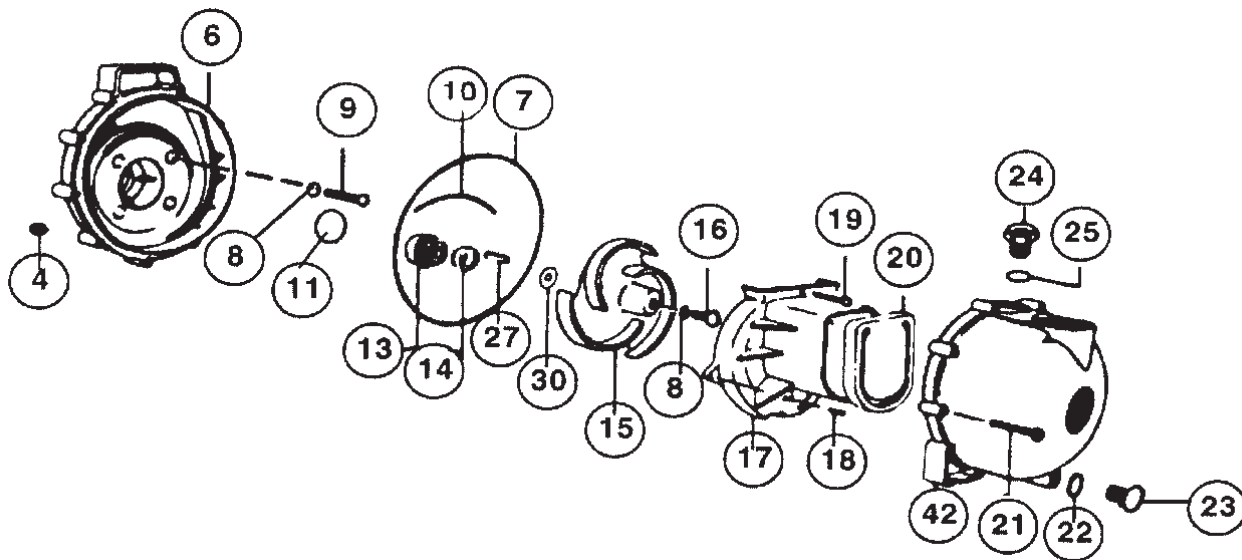
REF. #	DESCRIPTION	QTY/PUMP	SEB1½PL E3C	SEB2PL E3C	SEB2YL E3C	SEB2UL E5IC
2	Engine Protection Gasket	1	P-58-0933 72	P-58-0933 72	P-58-0933 72	P-58-0881 72
4	Body Nut	10	P-58-0721	P-58-0721	P-58-0721	P-58-0721
6	Bracket	1	P-58-0703 30B	P-58-0703 30B	P-58-0703 30B	P-58-0703 30B
7	'O'-Ring, Body	1	P-58-0719 72	P-58-0719 72	P-58-0719 72	P-58-0719 72
8	'O'-Ring, Screw	5	P-58-0717 72	P-58-0717 72	P-58-0717 72	P-58-0717 72
9	Screw, Bracket	4	P-58-0715 10	P-58-0715 10	P-58-0715 10	P-58-0715 10
10	'O'-ring, Segment	1	P-58-0754 72	P-58-0754 72	P-58-0754 72	P-58-0754 72
11, 13 & 14	Shaft Seal & 'O'-Ring	1	P-58-0714 12	P-58-0714 12	P-58-0714 12	P-58-0714 12
15	Impeller	1	P-58-0704 30	P-58-0704 30	P-58-0974 30	P-58-0706 30
16	Screw, Impeller	1	P-58-0716 10	P-58-0716 10	P-58-0716 10	P-58-0716 10
17	Volute	1	P-58-0702 30	P-58-0702 30	P-58-0954 30	P-58-0702 30
18	Screw, Side Volute	2	P-58-0725 10	P-58-0725 10	P-58-0725 10	P-58-0725 10
19	Screw, Top Volute	1	P-58-0771 10	P-58-0771 10	P-58-0997 10	P-58-0771 10
20	Check Valve	1	P-58-0705 72	P-58-0705 72	P-58-0705 72	P-58-0705 72
21	Screw, Body	10	P-58-0720	P-58-0720	P-58-0720	P-58-0720
22	'O'-Ring, Drain Plug	1	P-58-1009 72	P-58-1009 72	P-58-1009 72	P-58-1009 72
23	Plug, Drain	1	P-58-0723 30	P-58-0723 30	P-58-0723 30	P-58-0723 30
24	Plug, Filler	1	P-58-0722 30B	P-58-0722 30B	P-58-0722 30B	P-58-0722 30B
25	'O'-Ring, Filler Plug	1	P-58-0765 72	P-58-0765 72	P-58-0765 72	P-58-0765 72
27	Key	1	P-58-0718 30	P-58-0718 30	P-58-0718 30	P-58-0718 30
30	Shim	As Required	P-58-0778 11(.006") P-58-0778 12(.015") P-58-0778 13(.030")	P-58-0778 11(.006") P-58-0778 12(.015") P-58-0778 13(.030")	P-58-0778 11(.006") P-58-0778 12(.015") P-58-0778 13(.030")	P-58-0778 11(.006") P-58-0778 12(.015") P-58-0778 13(.030")
42	Body	1	P-58-1001 30B	P-58-1002 30B	P-58-1002 30B	P-58-1002 30B

PACER® "S" Pump

CARING FOR PACER PUMPS:

When handling agricultural fertilizer and chemicals, flush pump with fresh, clean water immediately after use. Before storing pump, flush with fresh clean water and drain completely.

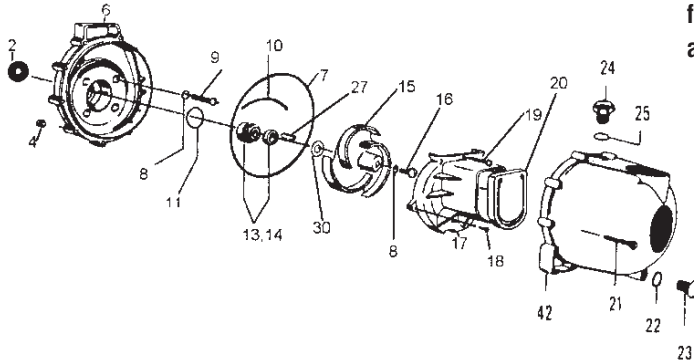
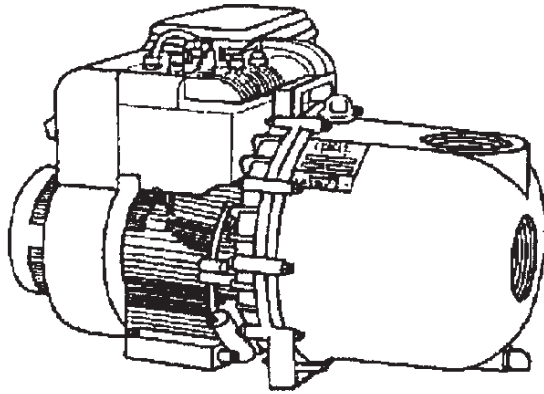
EPDM rubber components **are not compatible** with petroleum products. **Do not** use petroleum products when preparing pump for storage.



REF. #	DESCRIPTION	QTY/PUMP	SE2UL E5DCP	SE2RL E5DCP	SE3SL E5DCP	SE3XL E5DCP
4	Body Nut	10	P-58-0721 10	P-58-0721 10	P-58-0721 10	P-58-0721 10
6	Bracket	1	P-58-0703 30B	P-58-0703 30B	P-58-0703 30B	P-58-0703 30B
7	O-Ring, Body	1	P-58-0719 72	P-58-0719 72	P-58-0719 72	P-58-0719 72
8	O-Ring, Screw	5	P-58-0717 72	P-58-0717 72	P-58-0717 72	P-58-0717 72
9	Screw, Bracket	4	P-58-0715 10	P-58-0715 10	P-58-0715 10	P-58-0715 10
10	O-Ring, Segment	1	P-58-0754 72	P-58-0754 72	P-58-0754 72	P-58-0754 72
11,13&14	Shaft seal & O-Ring	1	P-58-0714 12	P-58-0714 12	P-58-0714 12	P-58-0714 12
15	Impeller	1	P-58-0706 30	P-58-0975 30	P-58-0975 30	P-58-0706 30
16	Screw, Impeller	1	P-58-0716 10	P-58-0716 10	P-58-0716 10	P-58-0716 10
17	Volute	1	P-58-0702 30	P-58-0977 30	P-58-0977 30	P-58-0702 30
18	Screw, Side Volute	2	P-58-0725 10	P-58-0725 10	P-58-0725 10	P-58-0725 10
19	Screw, Top Volute	1	P-58-0771 10	P-58-0771 10	P-58-0771 10	P-58-0771 10
20	Check Valve	1	P-58-0705 72	P-58-0705 72	P-58-0705 72	P-58-0705 72
21	Screw, Body	10	P-58-0720 10	P-58-0720 10	P-58-0720 10	P-58-0720 10
22	O-Ring, Drain Plug	1	P-58-1009 72	P-58-1009 72	P-58-1009 72	P-58-1009 72
23	Drain Plug	1	P-58-0723 30	P-58-0723 30	P-58-0723 30	P-58-0723 30
24	Filler Plug	1	P-58-0722 30B	P-58-0722 30B	P-58-0722 30B	P-58-0722 30B
25	O-Ring, Filler Plug	1	P-58-0765 72	P-58-0765 72	P-58-0765 72	P-58-0765 72
27	Key	1	P-58-0718 10	P-58-0718 10	P-58-0718 10	P-58-0718 10
30	Shim .006	As Required	P-58-0778 11	P-58-0778 11	P-58-0778 11	P-58-0778 11
	Shim .015	"	P-58-0778 12	P-58-0778 12	P-58-0778 12	P-58-0778 12
	Shim .030	"	P-58-0778 13	P-58-0778 13	P-58-0778 13	P-58-0778 13
42	Body	1	P-58-1002 3B	P-58-1002 3B	P-58-0755 30B	P-58-0755 30B

Note: This parts list intended for EPDM fitted pumps only.

3 Inch 'S Series Self-Priming Centrifugal Pump



CARING FOR PACER PUMPS:

When handling agricultural fertilizer and chemicals, flush pump with fresh, clean water immediately after use. Before storing pump, **flush** with fresh clean water and **drain** completely.

EPDM rubber components **are not compatible** with petroleum products. **Do not** use petroleum products when preparing pump for storage.

Extra engine protection with special shaft gasket helps keep liquid from entering engine in the event of seal failure. Always replace a dripping seal before additional damage occurs.

- Housing, volute and impeller: glass-reinforced polyester
- Rubber parts: EPDM
- Shaft seal: Stainless steel with carbon and ceramic faces, EPDM fitted.
- Hardware: Internal and external stainless steel fasteners
- Working pressure: To 36 psi
- Flow: To 280 GPM

PARTS LIST FOR MODEL NO. SE3SL (E5CP, E5ICP OR E5HCP)

REF. #	DESCRIPTION	QTY/PUMP	PART NO.
2	Engine Protection Gasket	1	P-58-0881 72
4	Body Nut	10	P-58-0721 10
6	Bracket	1	P-58-0703 30B
7	O-Ring, Body	1	P-58-0719 72
8	O-ring, Screw	5	P-58-0717 72
9	Screw, Bracket	4	P-58-0715 10
10	O-Ring, Segment	1	P-58-0754 72
11,13 & 14	Shaft Seal & O-Ring	1	P-58-0714 12
15	Impeller	1	P-58-0975 30
16	Screw, Impeller	1	P-58-0716 10
17	Volute	1	P-58-0977 30
18	Screw, Side Volute	2	P-58-0725 10
19	Screw, Top Volute	1	P-58-0771 10
20	Check Valve	1	P-58-0705 72
21	Screw, Body	10	P-58-0720 10
22	O-Ring, Drain Plug	1	P-58-1009 72
23	Drain Plug	1	P-58-0723 30
24	Filler Plug	1	P-58-0722 30B
25	O-Ring, Filler Plug	1	P-58-0765 72
27	Key	1	P-58-0718 10
30	Shim	As Required	P-58-0778 11 (.006) P-58-0778 12 (.015) P-58-0778 13 (.030)
42	Body	1	P-58-0755 30B

Note: This parts list intended for EPDM fitted pumps only.