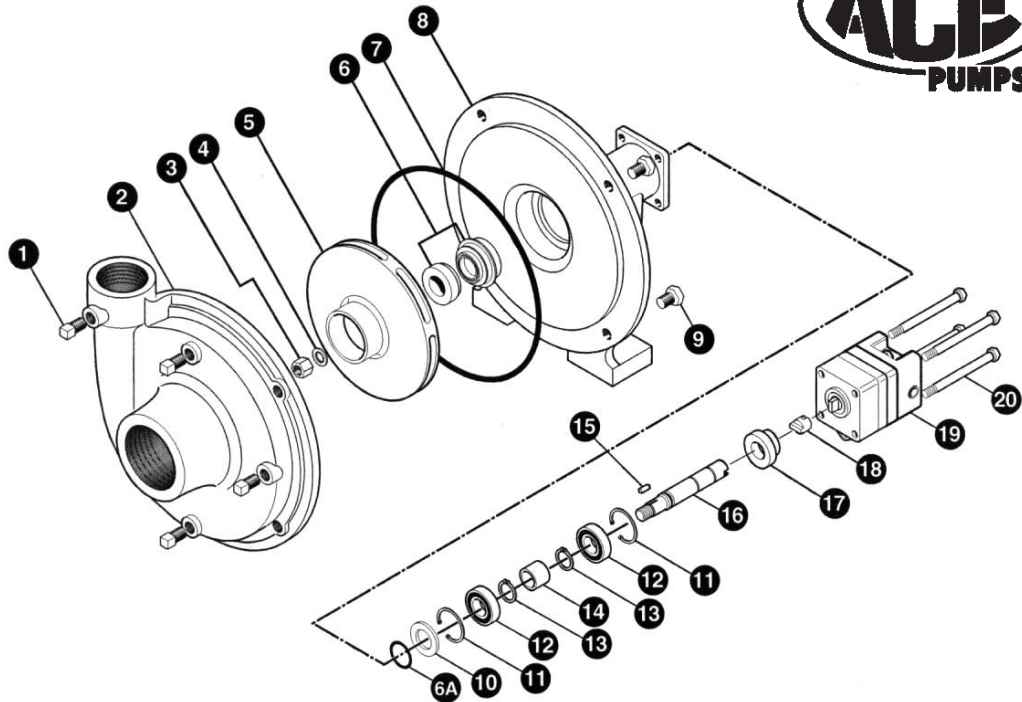


FMC-150-HYD-206



REF. #	PART NUMBER	EDP #	DESCRIPTION	REQ.
1	BAC-53	41110	Pipe plug	4
1	41120	41120	Pipe plug, stainless steel (optional)	4
2	BAC-12-150	40255	Volute, 1-1/2" x 1-1/4"	1
3	BAC-23-A	40391	Nut, 3/8" NF, cad plated	1
4	BAC-24-HYD-SS	40400	Washer, 3/8" star, stainless steel	1
5	BAC-26-150-P	40446	Impeller, Valox, keyway	1
5	BAC-26-150-CI	40445	Impeller, cast iron, keyway (optional)	1
*6	BAC-7V	40151	Seal, mechanical, Viton (includes 40160 O-Ring)	1
6	BAC-7SC	40152	Seal, mechanical, silicon carbide (includes 40160 O-Ring) (optional)	1
6A	40160	40160	O-ring, shaft seal	1
*7	BAC-4-150	40015	O-ring, body seal	1
8	BAC-14-150-HYD	40305	Mounting frame (for 200 Series hydraulic motor)	1
9	40950	40950	Cap screw, 3/8" NC x 3/4" hex head	4
9	40930	40930	Cap screw, 3/8" NC x 3/4" hex head, stainless steel (optional)	4
10	BAC-54	41130	Slinger	1
11	BAC-33	40810	Snap ring, internal, BAC-14 mounting frame	2
12	BAC-37	40870	Ball Bearing, sealed, BAC-6 shaft	2
13	BAC-32	40790	Snap ring, external, BAC-6 shaft	2
14	BAC-32-S	40795	Spacer for BAC-6 shaft	1
15	BACH-25	40420	Key, 1/8" x 1/8" x 1/2"	1
16	BAC-6-HYD	40060	Shaft, 5/8" diameter, keyway & tang slot	1
16	BAC-6-HYD-SS	40061	Shaft, 5/8" diameter, keyway & tang slot, stainless steel (optional)	1
17	S200	40161	Seal support spacer for 200 Series HYD motor, effective 6/00	1
18	BAC-76-HYD	41380	Coupling for hydraulic motor	1
19	BAC-75-HYD-206	41372	Hydraulic motor, 7 GPM	1
20	41258	41258	Cap screw, 5/16" N.C. x 3-3/4" Hex head (for 206 motor)	4
#	RK-FMC-150	52710	Repair kit for FMC-150 series pump	-
#	RK-BAC-75-HYD	41371	Repair kit for 200 Series motor	-
#	RK-BAC-75-HYD-L	41374	Repair kit for 200-L Series motor	-

*Items included in pump repair kit.